

SUPPLEMENT

TO THE

NEW ZEALAND GAZETTE

OF

THURSDAY, NOVEMBER 2, 1905.

Published by Authority.

WELLINGTON, THURSDAY, NOVEMBER 2, 1905.

CONTENTS.

	Page
Official Notices .. .. .	2595
Applications for Letters Patent filed .. .. .	2596
Complete Specifications accepted .. .. .	2597
Provisional Specifications accepted .. .. .	2601
Letters Patent sealed .. .. .	2601
Letters Patent on which Fees have been paid .. .. .	2601
Subsequent Proprietors of Letters Patent registered .. .. .	2602
Applications for Letters Patent abandoned .. .. .	2602
Application for Letters Patent void .. .. .	2602
Applications for Letters Patent lapsed .. .. .	2602
Letters Patent void .. .. .	2602
Applications for Registration of Trade Marks .. .. .	2602
Trade Marks registered .. .. .	2610
Subsequent Proprietor of Trade Mark registered .. .. .	2610
Trade Mark Renewal Fees paid .. .. .	2610
Trade Marks removed from Register .. .. .	2610
Request for Correction of Clerical Error in Trade Mark allowed .. .. .	2610
Application for Trade Mark withdrawn .. .. .	2610
Notice <i>re</i> Advertisements .. .. .	2610
Illustrations of Inventions.	

Official Notices.

PATENT OFFICE LIBRARY.

THIS library contains the following publications, viz. :—

United Kingdom.

The full text of the specifications and complete drawings of inventions patented from the year 1617 up to the 13th July, 1905.

Classified abridgments of inventions to 1900.

Illustrated Official Journal, containing lists of recent applications, abridgments of inventions for which patents have been lately granted, patents void, &c., to September, 1905.

Index of Applicants.

Subject-matter Index.

Commissioner of Patent Journal, &c.(\*)

Trade Marks Journal to June, 1905.

A

Canada.

Patent Office Record (containing illustrated abridgments of inventions, &c.) to March, 1905<sup>(b)</sup>.

Australia.

The Official Journal of Patents of the Australian Commonwealth (containing lists of applications for letters patent, abridgments of complete specifications accepted, &c.).

The Gazettes of the various States (containing lists of applications for registration of trade marks, &c.).

Specifications, drawings, abridgments, and indexes of Victoria, New South Wales, Queensland, and South Australia<sup>(c)</sup>.

United States.

The Official Gazette of the United States Patent Office (containing illustrated abridgments of specifications, &c.) to September, 1905.

Mexico.

The Official Gazette of the Patent and Trade Mark Office.

General.

La Propriété Industrielle (the official organ of the International Bureau of the Union for the Protection of Industrial Property).

Patent laws of the world.

Patent and Trade Mark Review.

Text-books and handbooks on patents and trade marks.

Miscellaneous publications.

Illustrated catalogues, price-lists of machinery, &c.

BOOKS AND DOCUMENTS OPEN TO INSPECTION.

The following documents and books are open to public inspection at the Patent Office :—

Patents.

(Fee for each search or inspection, not exceeding one hour, 1s.)

1. The files relating to all applications for letters patent in respect of which complete specifications have been accepted.

2. Classified copies of specifications and drawings, with index and key<sup>(d)</sup>.

3. Register of Application for Letters Patent.
4. Register of Patents.
5. Register of Subsequent Proprietors of Letters Patent<sup>(e)</sup>.
6. Index of Patentees<sup>(f)</sup>.
7. Index of Proprietors of Letters Patent granted prior to 1890<sup>(g)</sup>.
8. Index of Specifications<sup>(h)</sup>.

*Designs.*

(Search fee, 1s. each quarter of an hour.)

1. Register of Designs, with Index of Names of Proprietors.
2. Classified Representations of Designs in respect of which Copyright has expired.
3. Index of Designs.

*Trade Marks.*

(Search fee, 1s. each quarter of an hour.)

1. The files relating to all applications for registration of trade marks.
2. Register of Applications for Registration of Trade Marks.
3. Register of Trade Marks.
4. Index of Applicants for Registration of Trade Marks<sup>(i)</sup>.
5. Index of Trade Marks.
6. Classified Representations of Trade Marks, with indexes.

*Miscellaneous.*

Register of Patent Agents.

## FORMS.

The following forms, &amp;c., may be had on application:—

- Application for letters patent.
- Provisional specification.
- Complete specification and copy thereof.
- Application for registration of design.
- Application for registration of trade mark.
- Applications for extension of time.
- Requests by subsequent proprietor to enter name on Register of Patents and Trade Marks.
- Printed sheets of information as to fees and procedure to obtain letters patent and to register a trade mark<sup>(j)</sup>.
- Pamphlet containing Act and Regulations (price 1s.).

## OFFICIAL PUBLICATIONS.

The following publications may be obtained from the Government Printer, Wellington:—

- Printed specifications to the end of the year 1879.
- Annual lists of letters patent and letters of registration applied for, and particulars of applications lapsed, and patents lapsed, from 1880 to 1888 inclusive.
- Annual reports of the Registrar, containing alphabetical lists of applicants for letters patent and of inventions patented from 1889 to 1904 inclusive.
- The Patents Supplement to *Gazette* (containing notifications, applications for letters patent, abridged descriptions and drawings of inventions, &c.), published fortnightly.

## LOCAL PATENT OFFICES.

Local patent offices for the reception of applications for letters patent without extra payment have been appointed at the following places: Ashburton, Auckland, Blenheim, Christchurch, Dunedin, Gisborne, Greymouth, Hokitika, Invercargill, Napier, Nelson, New Plymouth, Oamaru, Queenstown, Thames, Timaru, Wanganui, Westport. These are situated in the Supreme Court Buildings and S.M. Court Houses.

## PATENT AGENTS.

A list of registered patent agents may be obtained on application.

- (a) Discontinued.
- (b) These may also be seen at the Public Libraries, Auckland and Christchurch.
- (c) In arrear. Not now being printed.
- (d) Key is in card index.
- (e) This Register contains only names of subsequent proprietors of letters patent granted prior to 1st January, 1890; since that date they appear in Register of Patents.
- (f) Includes all names of applicants, &c., and consists of four volumes to 4th November, 1903, and card index since that date. A separate card index is kept for current quarter.
- (g) The names of proprietors of subsequent letters patent appear in the Index of Patentees.
- (h) Contains classified abridgments of specifications from 1861, with extracts from drawings from July, 1904.
- (i) Names of applicants for registration and proprietors of trade marks are indexed at the beginning of the Registers up to 31st December, 1889; in separate volume up to 5th September, 1904; and since the latter date are in card index.
- (j) May also be obtained at any local Patent Office or money-order office.

*Applications for Letters Patent filed.*

LIST of applications for Letters Patent filed. (Where a complete specification accompanies an application an asterisk is suffixed; in all other cases a provisional specification has been lodged. In cases where the applicant is not the inventor the name of the latter appears in italics after the title.)

- No. 20190.—19th October.—A. Houseman, Newcastle, N.S.W.  
Bottle-closure.\*
- No. 20191.—4th October.—A. Campbell, Sutton.  
Animal-cover fastening.
- No. 20192.—4th October.—A. Campbell, Sutton.  
Pocket.
- No. 20193.—16th October.—R. O. Clark, Hobsonville.  
Straightening earthenware pipes.
- No. 20194.—17th October.—W. Kennedy, Sheffield, N.Z.  
Blight-preventing composition.\*
- No. 20195.—19th October.—O. T. Madeley, Corindhap, Vic.  
Label for mail-bag.
- No. 20196.—19th October.—F. W. Wise, Christchurch.  
Filler for boot.
- No. 20197.—19th October.—F. Marsh, West Maitland, N.S.W.  
Gold-treatment.
- No. 20198.—19th October.—F. Marsh, West Maitland, N.S.W.  
Amalgamating-machine.
- No. 20199.—21st October.—A. R. Hardy, Dunedin.  
Wire-fastener.
- No. 20200.—16th October.—W. Morton and J. Hercus, Dunedin.  
Window-sash.\*
- No. 20201.—17th October.—C. McDonald, Roxburgh.  
Sleeve for dredge-tumbler shaft.
- No. 20202.—17th October.—R. Wales, Dunedin.  
Rope-grip.
- No. 20203.—17th October.—J. Weir, Dunedin.  
Leg-rope for cow.
- No. 20204.—17th October.—A. Worsfold, Sydney.  
Vehicle-seat.\*
- No. 20205.—18th October.—D. Buckley, Rakaia.  
Skeith buckle.\*
- No. 20206.—21st October.—G. T. Pritchard, Wanganui.  
Railway signalling-apparatus.
- No. 20207.—21st October.—A. B. Wallace and H. J. Jones, Masterton.  
Piano-attachment.\*
- No. 20208.—21st October.—E. J. Gee, Papanui.  
Sun-blind.
- No. 20209.—18th October.—J. J. Evans, W. H. Wharfe, and T. E. Litherland, Auckland.  
Kauri-gum sieve.
- No. 20210.—19th October.—R. O. Clark, Hobsonville.  
Flanging-machine for earthenware pipes.
- No. 20211.—21st October.—J. Burns, Wyndham.  
Combination tool.
- No. 20212.—24th October.—C. Y. Dally, Masterton.  
Penetrating-rays.
- No. 20213.—24th October.—T. O'Neil, Hendes Ferry.  
Timing-apparatus for shutting off light, &c.
- No. 20214.—24th October.—A. E. Sykes, New Plymouth.  
Cattle-drenching appliance.
- No. 20215.—24th October.—C. E. Hayward, jun., and W. E. Hunter, Maungakarama.  
Snapcatch for leg-ropes or hobbles.\*
- No. 20216.—23rd October.—L. Healy and E. C. Hopkinson, New Plymouth.  
Wheel-jack.
- No. 20217.—25th October.—American Seeding-machine Company, Jersey City, U.S.A.  
Distributor for seeding-machine.\* (*F. G. Colley and E. Baseman.*)
- No. 20218.—25th October.—R. L. Morrell, London, England.  
Carburetted-apparatus.\*
- No. 20219.—25th October.—J. O. Fraser, Coromandel.  
Steam-turbine.\*
- No. 20220.—25th October.—The Horrocks Automatic Vending-machine Company, Limited, Wellington.  
Vending-machine. (*L. B. Horrocks.*)
- No. 20221.—25th October.—W. Middleton and H. N. G. Cobbe, Kalgoorlie, W.A.  
Shoe and die for grinding-pan.\*
- No. 20222.—25th October.—J. S. Gribbon and J. McKean, Benalla, Vic.  
Sash-support.\*
- No. 20223.—25th October.—A. Houseman, Charlestown, N.S.W.  
Bottle.\*

- No. 20224.—25th October.—H. Heavener, jun., Blayney, N.S.W.  
Horse-kicking and -bolting preventer.
- No. 20225.—24th October.—L. Hardie, Christchurch.  
Swing.
- No. 20226.—26th October.—W. Brady and B. T. Chaytor, Te Puke.  
Axle for wheels.
- No. 20227.—26th October.—A. Parker, Dannevirke.  
Stamp-vending machine.
- No. 20228.—5th October.—J. F. McNeill, Melbourne.  
Go-cart.\*
- No. 20229.—26th October.—A. L. J. Tait, South Melbourne.  
Treating fibre.
- No. 20230.—26th October.—A. Johnston, Napier.  
Shaft-tug.
- No. 20231.—26th October.—A. Nathan, Makino.  
Milk-food.
- No. 20232.—26th October.—A. Nathan, Makino.  
Egg-powder.
- No. 20233.—26th October.—J. Pomeroy, Invercargill.  
Depositing tickets in bales of flax.
- No. 20234.—24th October.—T. Hurd, Dunedin.  
Draught-preventer.
- No. 20235.—27th October.—E. L. Robertson, Wellington.  
Egg-carrier.
- No. 20236.—27th October.—B. L. Donne, Wellington.  
Tent.\* (T. D. McCall.)
- No. 20237.—27th October.—F. Rouse, R. Black, and H. G. Black, Wellington.  
Vehicle-wheel lock.
- No. 20238.—27th October.—B. E. S. Stocker, Wellington.  
Rifle- and shot-gun cleaner.\*
- No. 20239.—27th October.—A. Ridd, Waipuku.  
Pneumatic teat-cups.
- No. 20240.—25th October.—W. E. Hill and J. Robinson, Dunedin.  
Mitre-cutter.
- No. 20241.—25th October.—T. Vivian, Auckland.  
Medical tonic.
- No. 20242.—26th October.—J. Cowie, Dunedin.  
Milk-can filler.
- No. 20243.—27th October.—W. Smith, Waiuku.  
Runaway-horse holder.
- No. 20244.—28th October.—A. Johnstone, Milton.  
Cornice.
- No. 20245.—28th October.—H. C. Thomsen, Waingawa.  
Cocksfoot-thresher.
- No. 20246.—27th October.—H. J. Wallis, Roxburgh.  
Submarine boat.
- No. 20247.—30th October.—G. Craddock, Bolton Percy, Eng.  
Rope-grip.\*
- No. 20248.—30th October.—G. C. de Witt, Melbourne.  
Refractory-ore treatment.\*
- No. 20249.—30th October.—A. R. Donisthorpe, Leicester, Eng.  
Crimping fibrous material.\*
- No. 20250.—30th October.—J. T. Steele, West Croydon, Eng.  
Loose-leaf account-book.\*
- No. 20251.—30th October.—F. E. Dunnett, London, Eng.  
Anti-fouling paint.\*
- No. 20252.—30th October.—H. A. Cutmore, London, Eng.  
Telephone-transmitter.\*
- No. 20253.—30th October.—W. E. Martin, Stamford, Eng.  
Side-delivery rake for hay.\*
- No. 20254.—30th October.—T. W. Fowler, Melbourne.  
Fire-plug.
- No. 20255.—30th October.—J. Mead, Warkworth, N.Z.  
Generating gas from kerosene, &c., oil.
- No. 20256.—28th October.—A. McDonald, Taiari.  
Milk-strainer.
- No. 20257.—31st October.—J. D. McLaurin, Pohangina.  
Potato and fruit sprayer.
- No. 20258.—31st October.—F. Cotton, Hornsby, N.S.W.  
Liquid-fuel burner.\*
- No. 20259.—31st October.—R. Stevens, Christchurch.  
Milk cooler and aerator.
- No. 20260.—1st November.—D. Robertson, Wellington.  
Post-marking machine.
- No. 20261.—1st November.—F. Rich and G. F. Walbran, Rushworth, Vic.  
Tire-valve.\*
- No. 20262.—1st November.—G. W. J. White, Ryde, N.S.W.  
Exhaust-steam superheater.\*
- No. 20263.—1st November.—E. G. A. Brattstrom, Melbourne, Vic.  
Petroleum-lamp.\* (Aktiebolaget Luv—S. Carlson.)

## Notice of Acceptance of Complete Specifications.

Patent Office.

Wellington, 23rd October, 1905.

COMPLETE specifications relating to the undermentioned applications for Letters Patent have been accepted, and are open to public inspection at this office. Any person may, at any time within two months from the date of this *Gazette*, give me notice in writing of opposition to the grant of any such patent. Such notice must set forth the particular grounds of objection, and be in duplicate. A fee of 10s. is payable thereon.

No. 18597.—14th October, 1904.—JOHN SMAILL, of Port Chalmers, New Zealand, Engineer. Improved water-tube boiler.\*

*Extract from Specification.*—The invention consists of the combination of a casing with movable top enclosing tube coils connected to headers with baffle-plates, soot-doors, movable fire-grate furnace, and perforated plate.

[NOTE.—The above extract from the specification is inserted in place of the claims.]

(Specification, 2s. 3d.; drawing, 1s.)

No. 18624.—20th October, 1904.—HERMANN BÖHM, of No. 3, Chausseestrasse, Berlin, German Empire, Director. Improvements in preserve-cans.

*Extracts from Specification.*—My invention relates to means for heating the contents of preserve-cans by utilisation of the heat generated by the mingling of chemical agents. . . . Referring more particularly to Figs. 1 and 2, *a* is the preserve-can, *b* the chamber or compartment to receive the lime, and *c* that to receive the water; *g* is the cover, which may be secured, for instance, by solder, and opened by a key having a slot into which is inserted the tongue *f*, whereby the cover may be rolled up on the key on rotation of the latter. The water may be conducted to the lime in different ways. According to the present construction the bottom *h* of the water-chamber and the partition *i* which separates the water-chamber from the lime-chamber are adapted to be pierced by a suitable instrument as shown by the arrows *x*; the water flowing into the lime will generate heat, which will act to warm the contents of the can. The can is preferably of rectangular flat shape, as this form of can can be more conveniently packed than a round can.

[NOTE.—The above extracts from the specification are inserted in place of the claims.]

(Specification, 9s.; drawings, 5s.)

No. 18638.—6th December, 1904.—WALTER PALMER WYNNE and JAMES HENRY GRANT, of No. 11, Australian Mutual Provident Buildings, Lydiard Street, Ballarat, Victoria, Australia, Consulting Engineers. Improved furnace for the treatment of antimony-gold ores and other refractory ores.\*

*Extracts from Specification.*—The powdered ore is first fed from a hopper 4 on to an inclined reciprocating air- or water-cooled distributor 5 mounted on a shaft above the hearth of the first furnace A, said distributor being operated by an eccentric 6 (Fig. 2). As the ore falls it is blown by an air-blast 60 so that it falls in the form of a spray on the flames from two oil or gas burners D which drive off the volatile constituents of the ore and carry same along a flue 7 to the condenser 8. . . . The ore falls upon the water- or air-cooled hearth 1, and is carried forward by reciprocating rabblers (Figs. 1, 4, and 5) to the end, where it falls down a shoot 19 between rotating grinding-rollers 20 and passes to a similar furnace B beneath situate just in advance of the former. The rollers are kept in contact with each other by a spring 21 which will yield under undue pressure, and they are operated by spur gearing as shown in Fig. 1.

[NOTE.—The above extracts from the specification are inserted in place of the claims.]

(Specification, 6s.; drawings, 3s.)

No. 18862.—15th December, 1904.—WILLIAM ALEXANDER MCKAY, of Wellington, New Zealand, Photographer, and JAMES HENDERSON COBB, of Christchurch, New Zealand, Commercial Traveller. An improved hair-pin.\*

*Claim.*—In hair-pins, forming the legs of twisted helical form longitudinally, the helical twist in one leg being made in an opposite or contrary direction to that in the other, substantially as and for the purposes specified.

(Specification, 1s. 9d.; drawing, 1s.)

No. 18867.—16th December, 1904.—FRANCIS JAMES BROWN, of Cornwall Road, Ngairu, New Zealand, Farmer. Improvements in cow-bailing appliances.\*

*Claims.*—(1.) In cow-bailing appliances, a cable extending along the top of a number of bails erected in a series and at one end attached to a counterweight, and at the other end to a pivoted lever by means of which the cable may be drawn towards the lever, and chain connections between the cable and the top ends of the pivoted head-posts of the bails, substantially as specified. (2.) In cow-bailing appliances, a cable extending along the top of a number of bails erected in a series and at one end attached to a counterweight, and at the other end to a pivoted lever by means of which the cable may be drawn towards the lever, and chain connections between the cable and top ends of the pivoted head-posts of the bails, in combination with hinged flaps secured upon the tops of the bails and adapted to be engaged by and lifted as the head-posts are closed, and then to fall and lock them in the closed position, and means whereby the hinged flaps may be lifted separately or altogether, substantially as specified. (Specification, 3s. 6d.; drawing, 1s.)

No. 18868.—16th December, 1904.—FRANCIS JAMES BROWN, of Cornwall Road, Ngairu, New Zealand, Farmer. Improvements in leg-roping appliances.\*

*Claim.*—In leg-roping appliances, in combination, a lever pivoted to a bail division, a leg-rope passing through a runner upon such division, and attached at one of its ends to the lever, and at its other end to a hook-piece formed with an eye therein, and a spring catch provided with a link through which the leg-rope is passed, and with an eye adapted to receive the hook-piece on the end of the rope, and across which the bolt of the catch passes, substantially as specified. (Specification, 2s. 3d.; drawing, 1s.)

No. 18871.—16th December, 1904.—ARCHIBALD McDONALD, Farmer, and SAMUEL RICHARD STEDMAN, Engineer, both of Dunedin, New Zealand. An improved sediment-trap strainer.\*

*Claims.*—(1.) In a liquid-strainer, in combination, the body and well formed to hold the straining-gauze upright, with a convex cover allowing sediment to get to said well between it and the sides of said well, all substantially as shown on the drawing and as described and explained. (2.) In a liquid-strainer, in combination, a receptacle ending in a well at its lower part which is provided with a plug, with a plain convex cover on legs which also keep it centrally in position, allowing sediment to fall between it and the sides of the said well, said cover being about the height of the bottom edges of the upright straining-meshes, and a movable strainer for catching the lighter particles, all substantially as set forth. (3.) In a liquid-strainer, in combination, a loose false bottom for receiving the sediment with a movable screening-mesh, all substantially as shown on the drawing and as set forth. (Specification, 3s. 3d.; drawing, 1s.)

No. 18879.—20th December, 1904.—EDWARD THOMAS POLLARD, of 9, Hereford Mansions, Hereford Road, Bayswater, London, England, Engineer. Improvements in and relating to fluid-pressure turbines.\*

*Extract from Specification.*—According to the invention a series of movable rings are provided alternating with a series of stationary rings, in which respective rings corresponding ports are provided of such a shape that the steam or other elastic fluid is guided from the ports in the stationary rings to act upon the ports in the moving rings, the shape and disposition moreover being such that the respective ports are alternately opened and cut off on the rotation of the moving rings, so that thus the ports on three consecutive rings are never in communication at one time, and thus the steam in the port of any ring cannot escape into a port of the next ring until communication with the port of the preceding ring is cut off. By such means the steam has an abutment against each stationary ring from which it can react. According to the invention, moreover, the number of ports in the first ring is exceeded by the number of successive rings, so that the steam or other elastic fluid which operates with full pressure upon the first movable ring shall operate at reduced pressure through a greater number of ports in the succeeding rings. According to the invention, moreover, the depth of the ports is progressively increased, while the width of the ports remains the same. Furthermore, according to the invention projections or flanges are provided upon the moving rings, or

upon the stationary rings, or upon the casing in which corresponding grooves or projections of the casing or of the rings fit, so as thus to prevent leakage of the steam.

[The above extract from the specification is inserted in place of the claims.] (Specification, 7s.; drawing, 1s.)

No. 18925.—9th January, 1905.—UNITED SHOE MACHINERY COMPANY, of Paterson, State of New Jersey, United States of America, a corporation duly organized under the laws of said State of New Jersey, and having a place of business at 205, Lincoln Street, Boston, Massachusetts, United States of America (assignees of Marshall Henry Pearson and Arthur Ernest Jerram, both of Union Works, Belgrave Road, Leicester, England, Engineers). Improvements in or relating to apparatus for assorting and delivering eyelets or rivets or other articles of like form.\*

[NOTE.—The title in this case has been altered. (See list of provisional specifications, Gazette, No. 6, of the 26th January, 1905.)]

*Claims.*—(1.) In mechanism for assorting eyelets or articles of like external form, a movable article-supporting member the acting surface of which moves in or approximately in the plane or planes of said surface for the purpose of causing indiscriminately positioned articles to assume like positions upon the surface with or without an assorting or gauging device for the articles. (2.) In mechanism for delivering eyelets or articles of like external form, the combination of an assorting or gauging apparatus and a delivery-device which generates frictionally a centrifugal tendency in the articles placed upon it. (3.) In mechanism for assorting eyelets or articles of like external form, the combination with an article-assorting or -gauging device of a relatively movable article-supporting member the acting surface of which moves in or approximately in the plane or planes of said surface for the purpose of frictionally generating in the articles a centrifugal tendency. (4.) In mechanism for delivering eyelets or articles of like external form, a delivery-device which generates frictionally a centrifugal tendency in the articles placed upon it, and possesses as to one portion of its delivering-surface a high and as to another portion a low coefficient of friction, for the purpose described. (5.) In mechanism for assorting eyelets or articles of like external form, the combination with an article-container provided with a delivery slot or aperture restricted sufficiently to obstruct the passage of articles otherwise than laterally to their least over-all dimension of means to further separate articles delivered from the container in one position from those delivered otherwise. (6.) In mechanism for arranging and delivering eyelets or articles of like external form, the combination of a container, a frictional delivery-device therein, and a stationary wall with an assorting passage so situated that the delivery-device affords a floor to said passage, and with or without a bar (for example, A<sup>1</sup>) adjustable at the top of the passage to vary the height thereof. (7.) In mechanism for arranging and delivering eyelets or articles of like external form, the combination with a raceway of a guide at one side or face thereof to engage the flanges of such of said articles as are wrongly presented towards that side and divert them out of the raceway. (8.) In mechanism for arranging and delivering eyelets or articles of like external form, the guide-rails C<sup>5</sup>, C<sup>6</sup>, C<sup>7</sup>, C<sup>8</sup> arranged and operating substantially as described, or as illustrated in Figs. 1, 2, and 3 of the drawings. (9.) In mechanism for arranging and delivering eyelets or articles of like external form, the combination with a container, assorting-means, and means to eject from the mechanism wrongly positioned articles of means to return said articles to the container. (10.) In an eyeletting or analogous machine comprising a container and assorting mechanism, the combination with means to eject from the machine wrongly positioned eyelets or articles of like external form of means operated by an intermittently operated portion of the machine, such as the work-presser pedal gear to return said articles to the container. (11.) In mechanism for arranging and delivering eyelets or articles of like external form, the combination with a container and a guide to eject wrongly positioned articles from the mechanism of a pocket normally positioned to receive said articles when ejected, and means to raise said pocket and thereby return the articles to the container. (12.) The delivering and assorting mechanism substantially as described, or as illustrated in Figs. 1, 2, and 3, or in Figs. 4, 5, 6, and 7 of the drawings. (Specification, 16s.; drawings, 4s.)

No. 18926.—9th January, 1905.—UNITED SHOE MACHINERY COMPANY, of Paterson, New Jersey, United States of America, a corporation duly organized under the laws of said State of New Jersey, and having a place of business at 205, Lincoln Street, Boston, Massachusetts, United States of America (assignees of Frederick Henry Perry, of West Medford, Massachusetts aforesaid, Inventor). Improvements in or relating to fastening-machines.\*

*Claims.*—(1.) In a machine for inserting slugs or fasteners, a cutting-device for acting upon the material from which the slugs or fasteners are formed, a quill provided with a movable section, and means for holding said movable section yieldingly in engagement with said material while the cutting-device is operating thereon. (2.) In a machine for inserting slugs or fasteners, a cutting-device for acting upon the material from which the slugs or fasteners are formed, a quill provided with a longitudinally extending slot (for example, 16°), a movable section mounted in said slot and provided with a pin for engaging notches in the quill, and means for holding said movable section yieldingly in engagement with said material while the cutting-device is operating thereon. (3.) In a machine for inserting slugs or fasteners, a cutting-device for forming a point on a slug or fastener, a quill provided with means for clamping the slug or fastener, and a chip-remover for ejecting the chip removed from the slug or fastener in forming the point thereon. (4.) In a machine for inserting slugs or fasteners, a movable plate, a cutting-device mounted thereon for forming a point on a slug or fastener, a quill provided with means for clamping the slug or fastener, a chip-remover pivotally connected to said plate, and yielding means for holding the acting end of said chip-remover in alignment with the edge of the cutting-device. (5.) In a machine for inserting slugs or fasteners, a stationary top plate provided with a recess, a quill provided with a lug for engaging said recess, and a removable clamp for fastening said quill to the top plate. (6.) In a machine for inserting slugs or fasteners, the combination of swing and carrier plates and their appurtenances arranged and operating substantially as described, and illustrated in Figs. 2, 3, and 4 of the drawings. (7.) The machine for inserting slugs or fasteners substantially as described, and illustrated in Figs. 1 and 5 of the drawings.

(Specification, 10s.; drawing, 3s.)

No. 19917.—19th August, 1905.—JOHN CROOK, of Murdoch Road, Grey Lynn, Auckland, New Zealand, Engineer. Improved apparatus for the raising of sunken ships or other heavy weights in water.

*Claims.*—(1.) The combination in the cylindrical chamber specified of the two compartments, the fitting to the bottom of the larger compartment of the cover, the hook therefrom working in catch on side of chamber, the catch rising from tongue projecting from said cover and engaging the hook held to vertical rod and fulcrumed to projection from side of smaller compartment, piston or plunger working within cylinder fixed on top of chamber, double crank fitted to said piston or plunger, said vertical rod working within smaller compartment, opening in said cylinder and said cover for the purpose set forth, substantially as described and illustrated. (2.) In the apparatus specified, the pontoon fitted with outlet water-pipes, inlet water-valve, and outlet air-valve, and outwardly with rings in combination with the cylindrical chamber containing two compartments having cover fitted to the bottom of the larger compartment, the hook therefrom working in catch on side of chamber, the catch rising from tongue projecting from said cover and engaging the hook held to vertical rod and fulcrumed to projection from side of smaller compartment, piston or plunger working within cylinder fixed on top of chamber, double crank fitted to said piston or plunger, said vertical rod working within smaller compartment, opening in said cylinder and said cover, and bolts for securing said chamber to said pontoon for the purpose set forth, substantially as described and illustrated.

(Specification, 4s.; drawing, 1s.)

No. 19932.—19th August, 1905.—JOHN CROOK, of Murdoch Road, Grey Lynn, Auckland, New Zealand, Engineer. A rack for holding brooms suspended.

*Claim.*—The rack specified made of suitable gauge wire, somewhat V-shaped, with upper ends looped as drawn and stated for the purpose set forth, substantially as described and illustrated.

(Specification, 1s. 9d.; drawing, 1s.)

No. 20014.—9th September, 1905.—KEMPTHORNE, PROSSE, AND CO.'S NEW ZEALAND DRUG COMPANY, LIMITED, of Dunedin, New Zealand, Manufacturers. Improvements relating to the manufacture of culinary essences.

*Claims.*—(1.) In the manufacture of culinary essences, treating an essential oil with a refined fixed vegetable or animal oil as specified. (2.) In the manufacture of culinary essences, treating an essential oil with a refined fixed vegetable or animal oil in about the proportions as specified, and fining off the product. (3.) In the manufacture of culinary

essences, treating whole fruit with a refined fixed vegetable or animal oil, with or without an essential oil, in about the proportions specified and as explained.

(Specification, 3s. 6d.)

No. 20038.—14th September, 1905.—EHRENREICH PHILLIP ANDREAS, of Leuralla, Leura, New South Wales, Australia, Gentleman. Improvements in apparatus for generating acetylene gas from calcium-carbide, and in means and apparatus for purifying the same.

*Extract from Specification.*—My invention relates to that type of acetylene generator in which carbide contained in pans or trays is applied intermittently with water by a mechanical appliance set in motion by the movement of the dome of the gas-holder. In my said apparatus two generating-chambers are used, and a feed-reversing mechanism operated by the holder-dome provided to direct the water service on to the second generator when the carbide in the first generator has become exhausted. It includes also particular types of generator-chambers, washers, and purifiers, and improved means for abstracting undesirable elements from the gas.

[NOTE.—The above extract from the specification is inserted in place of the claims.]

(Specification, 8s.; drawing, 3s.)

No. 20043.—15th September, 1905.—ERNEST JOSEPH PARRISH, care of Ayers, Henry, and Co., of Sydney, New South Wales, Australia, Travelling Salesman. An improved device for sustaining window-sashes in a raised position.

*Claims.*—(1.) For the purpose indicated, in combination, a bracket having a hole through its front plate, a flange upon each side of the said hole-sides to the bracket, a hollow lug at the top of the hole, a hanger having trunnions to engage in the lug, teeth upon the hanger, a roller resting upon the hanger, trunnions on the roller adapted to engage the flanges at the sides of the hole whereby the roller is prevented from falling through the front of the bracket, a spring having one end resting upon the bracket and its other end upon the tail of the hanger, a grooved bar lying across the spring and engaging slots in the sides of the bracket, and a rib upon the bracket below the end of the spring, substantially as set forth. (2.) The combination and arrangement of parts comprising the improved device for sustaining window-sashes in a raised position, substantially as and for the purposes set forth, and illustrated on the drawing.

(Specification, 2s. 6d.; drawing, 1s.)

No. 20048.—14th September, 1905.—WILLIAM HARVEY, of Auckland, New Zealand, Wholesale Tinsmith. An improved continuous-pressure block.

*Extract from Specification.*—The purpose of this invention is to provide a block that will not tumble out of shape when not in use, and that will keep all its parts in position ready for use. The improvements consist in converting or shaping the buffer studs into slide-bolts and sleeves, and providing plates instead of wire clips, which with the old parts form a block much superior for cheese-pressing than the block hitherto in use.

[NOTE.—The above extract from the specification is inserted in place of the claims.]

(Specification, 3s.; drawings, 2s.)

No. 20056.—15th September, 1905.—JAMES COE and VALDEMAR JOHANSEN, of Auckland, New Zealand, Merchants. An improved valve-connection for tires of bicycles, motors, and the like.

*Claims.*—(1.) In the improved valve-connection specified, the rubber piece fitted within the valve for the purpose set forth, substantially as described and illustrated. (2.) In combination, the case with rubber piece fitted therein, top piece screwed on to said case, and cap screwed on to said top piece for the purpose set forth, substantially as described and illustrated.

(Specification, 2s.; drawing, 1s.)

No. 20067.—21st September, 1905.—WILLIAM ERNEST HUGHES, of Queen's Chambers, Wellington, New Zealand, Registered Patent Agent (nominee of Hugo Lentz, Subject of the Empire of Germany, of 10 and 11, Potsdamerstrasse, Berlin, Germany, Engineer, and Charles Bellens, Subject of the King of Great Britain, of 43, Rue de Chezy, Neuilly-sur Seine, France, Engineer). Improvements in and relating to steam-distribution for locomotives.

**Claims.**—(1.) A closed chamber intended to contain the valve distributing-gear so as to protect it from atmospheric influences and from dust, characterized by the fact that the small tubes at right angles to the longitudinal passage containing the rods of the distributing-members are truncated, to the end of permitting or utilising the free spaces existing between the tubes and of thus increasing the capacity of the original chamber. (2.) A constructional form of the chamber described in claim 1, characterized by a cover constituting an oil-reservoir provided with appropriate distributors for the purpose of permitting of the lubrication in common of all the distributing-members. (3.) Another constructional form of the chamber described in claim 1, characterized by small passages parallel with the main passage in which the distributing-rod slides, these small passages establishing communication between this passage and the recesses of the valve-rods for the purpose of permitting of discharging the water of condensation and of the recuperation of the oil.

(Specification, 4s.; drawing, 1s.)

No. 20068.—21st September, 1905.—JOHN SHARPE, of Catherine Street, Glebe, near Sydney, New South Wales, Australia, Cordial-manufacturer. A wire suspender for bottles.

**Claim.**—In a wire suspender for bottles, a handle part such as A terminating in eyes such as a, a', and a resilient clip part such as C adapted to encircle the neck of a bottle and which may be so compressed that the circular end c of the clip may be sufficiently compressed to allow it to pass through the terminal eye a as and for the purposes specified.

(Specification, 1s. 9d.; drawing, 1s.)

No. 20071.—21st September, 1905.—CHARLES HOWE BRISAKKE, of Parker Street, Cootamundra, New South Wales, Australia, Licensed Gasfitter. Improved acetylene-gas generator.

**Claims.**—(1.) In acetylene-gas generators, a cylindrical feed-hopper placed above the generator-chamber, such hopper being provided with a top and bottom door so disposed and arranged that by the movement of a lever arm the top door may be unlocked and the lower door locked, and *vice versa*, as and for the purposes specified. (2.) In acetylene-gas generators, in combination, a generating-chamber, a cylindrical hopper above such chamber, doors closing the top and bottom of the hopper, a vertical shaft parallel with the hopper and provided with a top lever, and a bottom lever adapted to act synchronously when the top lever is moved, such lever being adapted to close and secure the top door of the hopper through the agency of an incline on the door and release the bottom one synchronously when the top lever is rotated, and *vice versa*, as and for the purposes set forth. (3.) The general arrangement, construction, and combination of parts in the improved acetylene-gas generator as and for the purposes set forth.

(Specification, 2s. 6d.; drawing, 1s.)

No. 20074.—21st September, 1905.—FREDERICK AUGUSTUS DIXON, of Albury, New South Wales, Australia, Engineer. Improvements in eaves-gutter fascias.

**Claims.**—(1.) A fascia of metal comprising a body and a bent-down lip integral therewith to lap over and hold the gutter inner wall as described. (2.) A fascia of metal comprising a body and a bent-down lip integral therewith to lap over the gutter inner wall, the top of said body and lip having the undulations described. (3.) A fascia of metal comprising a body and a bent-down lip integral therewith to lap over the gutter inner wall, the body and lip tops having undulations and ventilation apertures as described. (4.) A fascia of metal comprising a body, a bent-down lip integral therewith to lap over and hold the gutter inner wall, and an upward extension of said lip forming a high lip to meet or approach a roof. (5.) A fascia of metal comprising a body, a bent-down lip integral therewith to lap over and hold the gutter inner wall, and an upward extension of said lip forming a high lip to meet or approach a roof, the top of said high lip having the undulations described. (6.) A fascia of metal comprising a body, a bent-down lip integral therewith to lap over the gutter inner wall, and an upward extension of said lip forming a high lip to meet or approach a roof, the top of said high lip having undulations and ventilation apertures. (7.) A fascia of metal having a main body, and secured along the front thereof a lip to lap over and hold in position a gutter inner wall. (8.) A fascia of metal having a main body, and secured along the front thereof a lip to lap over and hold in position a gutter inner wall, the top of the fascia having the described undulations. (9.) A fascia of metal having a main body, and secured along the

front thereof a lip to lap over and hold in position a gutter inner wall, the top of the fascia having the described undulations and ventilation apertures.

(Specification, 4s.; drawing, 1s.)

No. 20080.—22nd September, 1905.—INTERNATIONAL CIGAR MACHINERY COMPANY, a corporation organized and existing under the laws of the State of New Jersey, United States of America, and having their principal office at 111, Fifth Avenue, City, County, and State of New York, United States of America (assignees of Oluf Tyberg, of Point Loma, California, United States of America, Mechanical Engineer; William Stone Luckett, of 111, Fifth Avenue aforesaid, Mechanical Engineer; Leon Lake, of Brooklyn, State of New York aforesaid, Mechanical Engineer; Harry Knight, of Jersey City, State of New Jersey aforesaid, Machinist; and Florence Herrington, of San Juan, Porto Rico, Machinist). Improvements in cigar machinery.

**Extract from Specification.**—This invention relates to an improved cigar-machine. The object of the invention is to provide a cigar-machine in which cigar bunches (*i.e.*, cigar-filler enclosed in binders) shall be taken from a suitable source of supply (as, for instance, a mold) and transported to a wrapping-mechanism where the final or outside wrapper, which converts the bunch into a cigar, is applied. The invention further extends to certain improvements in devices for finishing the cigar, and includes detail improvements in the various mechanisms which comprise the machine. In the particular machine which has been selected to illustrate the invention means are provided for maintaining a stack of ordinary cigar-molds in position, and there are devices by which the several molds of the stack are successively opened to permit the bunches to be removed and then closed after the bunches are removed, the mold being then moved out of the way so that the next succeeding mold may be acted upon. In the best construction means will be provided for removing the bunches from the molds, these means transferring the contents of each mold from the mold to a suitable support or carrier, and from this carrier they are transferred one by one to the wrapping-machine in which the final wrapper is applied. The wrapped cigars are removed from the wrapping-mechanism, after which certain finishing-devices are caused to operate upon them which completes their manufacture.

[NOTE.—The above extract from the specification is inserted in place of the claims.]

(Specification, £1 8s.; drawing, 9s.)

No. 20110.—28th September, 1905.—THOMAS HITCHEN, of 52, Pyrmont Bridge Road, Camperdown, Sydney, New South Wales, Australia, Oven-builder and Bakery-engineer. Improvements in baking-oven doors and attachments.

**Claims.**—(1.) In baking-oven doors, the combination, arrangement, and relative positions of the various parts connected therewith which facilitate the working, accessibility, and adjustment of the door, substantially as described, and ascertained by the drawings. (2.) In baking-oven doors, the rack-and-pinion wheel in combination with the bracket-bearing and handle which facilitate the opening and closing of door, substantially as described, and ascertained by the drawings. (3.) In baking-oven doors, the form of frame and door and method of securing same in position, substantially as described, and ascertained by the drawings. (4.) In baking-oven doors, the expansion-springs on the door-frame in combination with the screws and cover-pieces which facilitate the adjustment of the door, substantially as described, and ascertained by the drawings. (5.) In baking-oven doors, the rollers in edge of door which reduce the friction and facilitate the working of the door, substantially as described, and ascertained by the drawings. (6.) In baking-oven doors, rest for peels over door supported on brackets from front, substantially as described, and ascertained by the drawings. (7.) In baking-oven doors, the spring roller in lieu of balance-weight, substantially as described, and ascertained by the drawings. (8.) In baking-oven doors, the chain-wheels in combination with form of bearing-frame for securing same in position, substantially as described, and ascertained by the drawings.

(Specification, 4s. 3d.; drawings, 2s.)

No. 20140.—5th October, 1905.—EDWARD NERDHAM WATERS, a member of the firm of Edward Waters and Son, Patent Attorneys, of Nos. 414-418, Collins Street, Melbourne, Victoria, Australia (nominee of Sydney Samuel Hartley, of No. 668, Fair Street, Petaluma, California, United States of America, Real Estate Broker—the assignee of John Mason, of Sebastopol, California aforesaid, Farmer). Improvements in and relating to farm gates.



**Claims.**—(1.) A gate having a stationary upper hinge-connection and an eccentrically shiftable lower hinge-connection, said lower hinge-connection comprising a stationary cam and a projection on the gate engaging the cam, and means operated from the roadway on either side of the gate to shift said projection to throw the gate into unstable equilibrium to effect the opening or closing of the gate. (2.) A gate having a ball-bearing hinge at the top and shiftable hinge-connections at the bottom, and means for operating said bottom hinge-connections to place the gate in unstable equilibrium to effect the opening or closing of the gate. (3.) A gate having a stationary hinge-connection at the top and shiftable hinge-connections at the bottom, said latter connections including a cam, a part on the gate slidable on said cam, and means for moving the gate on the cam to place the gate in unstable equilibrium to effect the opening or closing of the gate. (4.) A gate having a stationary hinge-connection at the top and shiftable hinge-connections at the bottom, said latter connections including a cam, a part on the gate slidable on said cam, and means for moving the gate on the cam to place the gate in unstable equilibrium to effect the opening or closing of the gate, said means for moving the gate including a lever having a forked or slotted part to engage the gate. (5.) A gate having a stationary hinge-connection at the top and shiftable hinge-connections at the bottom, said latter connections including a cam, a part on the gate slidable on said cam, and means for moving the gate on the cam to place the gate in unstable equilibrium to effect the opening or closing of the gate, said means for moving the gate including a lever having a forked or slotted part to engage the gate, an appliance in the roadway disposed in the path of a vehicle, and adjustable flexible connections between said appliance and the lever to oscillate said lever on the suitable operation of said appliance.

(Specification, 7s.; drawing, 2s.)

An asterisk (\*) denotes the complete specification of an invention for which a provisional specification has been already lodged.

**NOTE.**—The cost of copying the specification and drawing has been inserted after the notice of each application. An order for a copy or copies should be accompanied by a post-office order or postal note for the cost of copying.

The date of acceptance of each application is given after the number.

Extracts from the drawings accompanying the foregoing complete specifications appear at the end of this *Gazette*.

F. WALDEGRAVE,  
Registrar.

*Provisional Specifications accepted.*

Patent Office,  
Wellington, 1st November, 1905.

**A** PPLICATIONS for Letters Patent, with provisional specifications, have been accepted as under:—

- No. 19696.—J. Baxter, sash raiser and lock.
  - No. 19798.—O. T. Madeley, rabbit-trap.
  - No. 19899.—J. Dunning, butter-box.
  - No. 19999.—A. M. Grainger, bird trap.
  - No. 20104.—G. Scott, injecting sterilised air into cow's udder.
  - No. 20112.—C. Rask and E. A. Cameron, travelling race or alley-way.
  - No. 20113.—G. I. Lowe, bicycle-pump.
  - No. 20127.—W. Campbell, bread-tin.
  - No. 20129.—H. Leah, electric-light shade-holder.
  - No. 20135.—H. C. Welch, shoe.
  - No. 20146.—J. H. Love, horse-collar.
  - No. 20151.—J. Fenton, fastener for hats, bonnets, &c.
  - No. 20153.—K. A. Olsen, scaffolding.
  - No. 20159.—W. Brewster, codlin-moth-destroying liquid.
  - No. 20162.—W. G. Chapman, nib-ejector.
  - No. 20164.—A. Gillies, pneumatic teat-cup mouthpiece.
  - No. 20165.—A. Gillies, pneumatic milking-machine claw.
  - No. 20169.—D. Clark, gold-refining process.
  - No. 20172.—A. W. Reid, liquid-controller.
  - No. 20175.—J. Ellen, sheep-brand.
  - No. 20177.—A. McLeod, diving-dress.
  - No. 20181.—W. Muir, ventilator for buildings, &c.
  - No. 20186.—J. Dickason and A. McLennan, milking bail and stall.
  - No. 20192.—A. Campbell, pocket.
  - No. 20196.—F. W. Wise, boot-filler.
  - No. 20203.—J. Weir, cow-leg holder.
  - No. 20208.—E. J. Gee, sun-blind.
  - No. 20210.—R. O. Clark, flanging-machine for shaping earthenware goods.
  - No. 20220.—The Horrocks Automatic Vending Machine Company, Limited, vending-machine. (L. B. Horrocks.)
- NOTE.**—Provisional specifications cannot be inspected, or their contents made known by this office in any way, until the complete specifications in connection therewith have been accepted.

*Letters Patent sealed.*

**L**IST of Letters Patent sealed from the 19th October to the 1st November, 1905, inclusive:—

- No. 17726.—F. C. Baggesen, butter-box.
- No. 18130.—D. Rowe, bicycle-pump.
- No. 18135.—A. Morrison, screen for gold-dredge.
- No. 18142.—S. D. Currie, converting kerosene-tin into bucket.
- No. 18165.—G. Hutchinson, milking-machine.
- No. 18251.—E. Wales, coin-controlled machine.
- No. 18254.—R. E. Smallbone, toasting-appliance.
- No. 18324.—A. Kilborn, milking-machine.
- No. 18339.—E. G. D. McMaster, turnip-trimmer.
- No. 18360.—J. W. Tattersfield, paper blind.
- No. 18451.—O. T. Madeley, fruit-gatherer.
- No. 18608.—C. P. Parkerson, receptacle for perishable goods.
- No. 18610.—W. C. Johnson and G. C. Pearson, rock-drill.
- No. 18626.—United Shoe Machinery Company, pounding-up machine. (R. F. McFeely.)
- No. 18714.—A. R. Angus, railway-car, &c.
- No. 18820.—G. Barnes, curtain-suspender.
- No. 18857.—F. Richardson and F. Markey, churn and butter-worker.
- No. 18905.—T. Rouse and H. Cohn, ironsand briquette.
- No. 19154.—E. R. Grote and M. V. Ely, electric arc lamp. (E. R. Grote, M. V. Ely, and C. E. Foster.)
- No. 19156.—Darling's Patent Automatic Coupling, Limited, railway-coupling. (J. Darling.)
- No. 19219.—H. E. Ross, ship's-hull construction.
- No. 19363.—W. J. Howcroft, sheet-metal-articles-making machine.
- No. 19380.—O. Frühling, suction dredge.
- No. 19381.—O. Frühling, suction-dredge head.
- No. 19413.—A. de Dion and J. Bouton, plate-clutches.
- No. 19424.—A. S. D. Cribb, locomotive engine.
- No. 19446.—E. N. Waters, meat-preserving. (J. Guimaraes.)
- No. 19472.—D. Anderson, incandescent gas-burner.
- No. 19473.—E. N. Waters, magnetic separator. (The Edison Ore milling Syndicate, Limited—T. A. Edison.)
- No. 19482.—W. E. Hughes, colour-printing. (C. B. Cottrell and Son's Company—M. A. McKee.)
- No. 19528.—L. A. Casgrain, dampening-machine for boot-soles, &c.
- No. 19551.—J. C. Traill, safety-pin.
- No. 19560.—H. V. Blake, hydraulic ram.
- No. 19563.—The Empire Inventions Company, Limited, fire-escape. (C. L. Garland, G. Proudfoot, and M. Bowen.)
- No. 19564.—R. H. Easdown, rabbit-trap.
- No. 19571.—W. M. Ducker, portable house.
- No. 19574.—A. Hayes, liquid-vapouriser.
- No. 19593.—J. E. Ephraim, acetylene lamp and generator.
- No. 19611.—J. McGuire, hose-connection.
- No. 19628.—A. E. Davis, filter-press.
- No. 19630.—H. S. Elworthy, gas-manufacture.
- No. 19631.—H. S. Elworthy, gas-manufacture.
- No. 19632.—H. S. Elworthy, production of nickel.
- No. 19633.—H. L. Sulman, H. F. Kirkpatrick-Picard, and J. Ballot, ore-concentrator.
- No. 19634.—H. L. Sulman, H. F. Kirkpatrick-Picard, and G. Ballet, ore-concentrator.
- No. 19639.—W. Bills, wire mattress.
- No. 19640.—D. F. Sherman, fruit-preserving process and product.
- No. 19655.—H. D. Mackenzie, fibre-dressing.

*Letters Patent on which Fees have been paid.*

[NOTE.—The dates are those of the payments.]

SECOND-TERM FEES.

- No. 14150.—The Patent Brick Company of New Zealand, Limited, brick-manufacture (B. V. Barreto). 23rd October, 1905.
- No. 14155.—C. A. Lees, music-cabinet attachment to piano (E. A. Bishop). 24th October, 1905.
- No. 14168.—J. W. and S. Hardley, spouting-bracket. 30th October, 1905.
- No. 14175.—F. J. Rose, protecting river-banks, &c. 18th October, 1905.
- No. 14181.—Beard Hayne Defibrator Company, fibre-dressing (E. Waters, jun.—J. F. Beard and R. Hayne). 25th October, 1905.
- No. 14206.—Austral Nail Company Proprietary, Limited, barbed-wire machine (J. G. Lyon). 25th October, 1905.
- No. 14228.—F. T. Mumford, ore-treatment. 19th October, 1905.
- No. 14309.—Potter's Sulphide-ore Treatment, Limited, sulphide-ore treatment (C. V. Potter). 26th October, 1905.
- No. 14361.—F. J. E. Johansson, steam-engine. 25th October, 1905.

No. 14377.—A. G. Hæhre, treating veneers. 31st October, 1905.  
No. 14429.—J. A. Chambers, manufacture of glass articles (J. H. Lubbers). 31st October, 1905.

## THIRD-TERM FEES.

No. 10824.—M. F. Donaldson, rheumatism cure. 25th October, 1905.  
No. 10970.—J. T. Norton, yeast-manufacture. 26th October, 1905.  
No. 11068.—Edison Ore-milling Syndicate, Limited, ore-concentrator (T. A. Edison). 17th October, 1905.  
No. 11069.—Edison Ore-milling Syndicate, Limited, breaking rock (T. A. Edison). 17th October, 1905.  
No. 11070.—Edison Ore-milling Syndicate, Limited, rolls (T. A. Edison). 17th October, 1905.  
No. 11071.—Edison Ore-milling Syndicate, Limited, elevator and conveyor (T. A. Edison). 17th October, 1905.  
No. 11073.—Edison Ore-milling Syndicate, Limited, ore-dryer (T. A. Edison). 17th October, 1905.  
No. 11138.—Xpedite Manufacturing Company, heel-finishing machine (Z. Beaudry). 19th October, 1905.

*Subsequent Proprietors of Letters Patent registered.*

[NOTE.—The name of the patentee is given in brackets; the date is that of registration.]

No. 16676.—William Henry Lawrence and Robert Kennedy, both of No. 846, Pollokshaws Road, Glasgow, Scotland. Milking-apparatus. [B. Bodycomb—W. H. Lawrence. 1st November, 1905.]

No. 19468.—The British Westinghouse Electric and Manufacturing Company, Limited, of Westinghouse Building, Norfolk Street, in the City of Westminster, England, Manufacturers. Electric-motor control. [W. E. Hughes—T. S. Perkins and R. P. Jackson.] 26th October, 1905.

*Applications for Letters Patent abandoned.*

LIST of applications, with which provisional specifications only have been filed, abandoned (*i.e.*, complete specifications not lodged), from the 19th October to the 1st November, 1905, inclusive:—

No. 18873.—W. Nisbet, dredge-ladder attachment.  
No. 18877.—D. J. Williams, flax cleaner and conveyor.  
No. 18880.—G. B. B. Elliott, street-scavenger.  
No. 18881.—A. H. Krause, box.  
No. 18882.—A. H. Krause, deck-chair.  
No. 18883.—H. T. Jones and J. P. Ludeman, blower for furnace.  
No. 18886.—A. Hare, operating valve at predetermined times.  
No. 18887.—A. Hare, telemeter.  
No. 18891.—G. W. Basley, stair-rod. (E. L. Bagstrom.)  
No. 18892.—H. Harding, axe-handle.  
No. 18894.—G. B. and A. Edwards and W. Wetenhall, harness-saddle.  
No. 18895.—H. R. Butterworth, dredge-bucket. (H. Park.)  
No. 18896.—A. J. Park, gold-saving appliance. (W. Beamish.)  
No. 18898.—R. O. Clark, jun., flanging-machine for earthenware goods.  
No. 18899.—C. Rask and E. A. Cameron, travelling-race for sheep.  
No. 18900.—J. Ellen, feeding-bottle protector.  
No. 18901.—E. F. and E. H. C. Ridder, traction-engine governor.  
No. 18902.—J. D. Jackson, beer-engine.  
No. 18904.—W. S. Robinson and P. S. Swanson, air engine.  
No. 18908.—C. T. Simpson, cow-bail.

*Application for Letters Patent void.*

APPLICATION for Letters Patent, with which complete specification has been lodged, void, owing to non-acceptance of such complete specification, from the 19th October to the 1st November, 1905, inclusive:—

No. 18210.—G. H. Wallace and W. H. Lowthen, signalling from exchange to totalisator,

*Applications for Letters Patent lapsed.*

LIST of applications lapsed, owing to Letters Patent not being sealed, from the 19th October to the 1st November, 1905, inclusive:—

No. 17813.—R. L. Stewart, pen-nib attachment.  
No. 17817.—W. Webster, candle holder and saver.  
No. 17818.—J. W. Rooney, trolley-pole.  
No. 17819.—H. Seifert, water-scutter.  
No. 17826.—T. A. Nash, preventing guttering of candles.  
No. 17829.—H. T. Harding and A. F. Billing, advertising-puzzle.

*Letters Patent void.*

LETTERS Patent void through non-payment of renewal fees, and through expiry of term of fourteen years, from the 19th October to the 1st November, 1905, inclusive:—

## THROUGH NON-PAYMENT OF SECOND-TERM FEES.

No. 13843.—G. Davis, electric distribution.  
No. 13846.—J. C. Miller, sterilising and cooling liquids.  
No. 13853.—K. Boyd, fire-escape.  
No. 13854.—J. B. Van der Ploeg, antimony-ore treatment.  
No. 13855.—J. Volkner, egg-beater.  
No. 13863.—A. E. Wells, shoe and die for stamp-crusher.  
No. 13869.—J. M. Simpson, dredge.  
No. 13874.—W. L. L. Rees and R. H. Mason, envelope-fastening.  
No. 13876.—D. M. Osborne and Co., harrow. (C. S. Sharp.)  
No. 13879.—J. F. O'Rourke, subterranean dam.  
No. 13880.—J. Warren, magnetic separator.

## THROUGH NON-PAYMENT OF THIRD-TERM FEES.

No. 10786.—The Planters' Compress Company, wool press. (G. A. Lowry.)

## THROUGH EXPIRY OF TERM.

Nil.

*Applications for Registration of Trade Marks.*

Patent Office,  
Wellington, 1st November, 1905.

APPLICATIONS for registration of the following trade marks have been received. Notice of opposition to the registration of any of these applications may be lodged at this office within two months of the date of this *Gazette*. Such notice must be in duplicate, and accompanied by a fee of £1.

No. of Application: 5280.

Date: 9th May, 1905.

TRADE MARK.

The words

**CLING SURFACE.**

NAME.

HARRY ARTHUR TWIBY, JOHN HENRY WINDELER, AND PETER HERMANN, trading as "W. J. Moxham and Co.," at 85, Clarence Street, Sydney, New South Wales, Australia, Commission Merchants.

No. of Class: 50.

Description of Goods: A preservative and filling preparation for belting.



No. of application: 5374.  
Date: 3rd July, 1905.



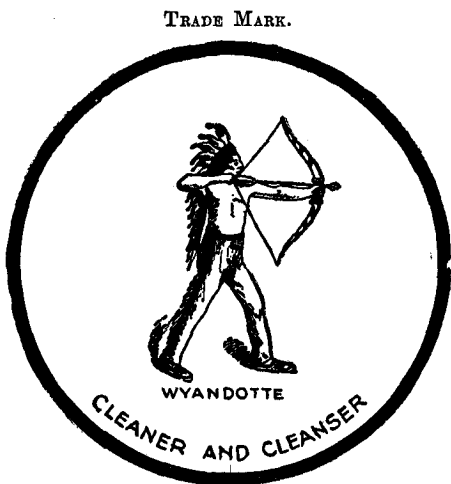
The essential particulars of this trade mark are the representation of a North American Indian with drawn bow and arrow associated with the word "Wyandotte"; and any right to the exclusive use of the added matter is disclaimed.

NAME.

THE J. B. FORD COMPANY, a corporation located at the Village of Ford City, County of Wayne and State of Michigan, United States of America.

No. of class: 1.  
Description of goods: Alkali products and by-products.

No. of application: 5375.  
Date: 3rd July, 1905.



The essential particulars of this trade mark are the representation of a North American Indian with drawn bow and arrow associated with the word "Wyandotte," the whole enclosed within the circumference of a circle; and any right to the exclusive use of the added matter is disclaimed.

NAME.

THE J. B. FORD COMPANY, a corporation located at the Village of Ford City, County of Wayne and State of Michigan, United States of America.

No. of class: 1.  
Description of goods: Alkali products and by-products.

B

No. of application: 5399.  
Date: 19th July, 1905.



NAME.

SIR TITUS SALT, BARONET, SONS, AND CO., LIMITED, of Saltaire, in the County of Yorkshire, England, Manufacturers of Textiles.

No. of class: 34.  
Description of goods: All goods included in this class.  
NOTE.—Class 34 is for "Cloth, and stuffs of wool, worsted, or hair."

No. of application: 5400.  
Date: 19th July, 1905.

TRADE MARK.

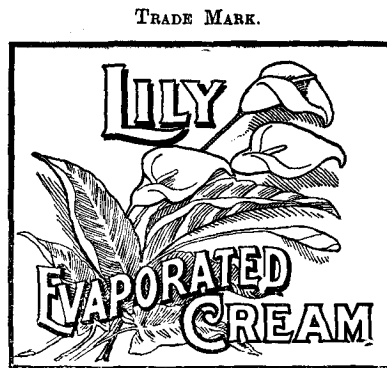
(The mark as shown in preceding notice, No. 5399.)

NAME.

SIR TITUS SALT, BARONET, SONS, AND CO., LIMITED, of Saltaire, in the County of Yorkshire, England, Manufacturers of Textiles.

No. of class: 38.  
Description of goods: All goods included in this class.  
NOTE.—Class 38 is for "Articles of clothing—such as hats of all kinds, caps and bonnets, hosiery, gloves, boots and shoes, and other ready-made clothing."

No. of application: 5530.  
Date: 20th September, 1905.



The essential particulars of this trade mark are the devices and the word "Lily"; and any right to the exclusive use of the added matter is disclaimed.

## NAME.

IRVINE AND STEVENSON'S ST. GEORGE COMPANY, LIMITED, of Dunedin and elsewhere in the Colony of New Zealand, Manufacturers.

No. of class : 42.

Description of goods : Preserved milk.

NOTE.—This application is regazetted on account of the name "Stevenson's" being misspelt in the notice in Supplement to *New Zealand Gazette* No. 91, of the 19th October, 1905.

No. of application : 5531.

Date : 20th September, 1905.

## TRADE MARK.

The words

**ST. GEORGE.**

The applicants claim that the said trade mark has been in use by them and their predecessors in business in respect of the articles mentioned since prior to 1st January, 1890.

## NAME.

IRVINE AND STEVENSON'S ST. GEORGE COMPANY, LIMITED, of Dunedin and elsewhere in the Colony of New Zealand, Manufacturers.

No. of class : 42.

Description of goods : Arrowroot, baking-powder, bacon, cordials and beverages (non-alcoholic) and preparations for making them, butter, capers, carraways, cassia, cooking-powders, chicory, chillies, condiments, cloves, coffee, condensed milk, curry powder and paste, desiccated cocoanut, egg-powder, fish (canned and dried), fruit (dried and preserved), hams, herbs (used for edible purposes), honey, hops, jam, jellies, juices (non-alcoholic), lard (used for edible purposes), marmalade, meat-extracts and preserved and canned meats, table oils, olives, pepper, pickles, preserves, rennet, sauces, sausages, soups, spices, sugar, syrups (not medicinal), table-jelly crystals, tallow (used for edible purposes), tea, tongues, treacle, vegetables, and vinegar.

NOTE.—This application is regazetted on account of the name "Stevenson's" being misspelt in the notice in Supplement to *New Zealand Gazette* No. 91, of the 19th October, 1905.

No. of application : 5535.

Date : 21st September, 1905.

## TRADE MARK.



## NAME.

CHIPMAN, LIMITED, of 25, Whitehall Street, New York, United States of America, and of 54, Margaret Street, Sydney, in the State of New South Wales, Australia, and elsewhere, Merchants.

No. of class : 42.

Description of goods : Substances used as food or as ingredients in food.

No. of application : 5537.

Date : 21st September, 1905.

## TRADE MARK.



The essential particular of this trade mark is as follows: The distinctive label; and any right to the exclusive use of the added matter is disclaimed.

## NAME.

POL ROGER AND Co., of Epernay, in France, Wine Growers and Shippers.

No. of class : 43.

Description of goods : Champagne.

No. of application : 5544.

Date : 28th September, 1905.

## TRADE MARK.



The essential particulars of this trade mark is a device of a shoe surrounded by two circular lines; and any right to the exclusive use of the words "Machine Twist" is disclaimed.

## NAME.

BROUGH, NICHOLSON, AND HALL, of Leek, Staffordshire, England.

No. of class : 30.

Description of goods : Sewing and machine silks.

No. of application : 5565.

Date : 9th October, 1905.

## TRADE MARK.



The essential particulars of this trade mark are the word "Airlite" and the devices; and applicants disclaim any right to the exclusive use of the added matter, except their name.

NAME.

BROWN, EWING, AND Co., LIMITED, of 154-164, Princes Street, Dunedin, in the Colony of New Zealand, Drapers.

No. of class: 38.

Description of goods: Hats of all kinds.

No. of application: 5566.

Date: 10th October, 1905.



NAME.

TURNER AND MAXWELL, of Edean's Buildings, Corner Queen and Quay Streets, Auckland, in the Colony of New Zealand, Gents' Outfitters.

No. of class: 38.

Description of goods: Boys', youths', and men's clothing of all descriptions.

No. of application: 5570.

Date: 12th October, 1905.

TRADE MARK.

"DOVE."



NAME.

HAYWARD BROS. AND Co., LIMITED, of 171, Peterborough Street, Christchurch, in the Colony of New Zealand.

No. of class: 47.

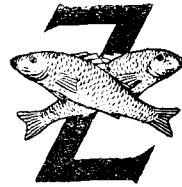
Description of goods: All articles in this class, except illuminating, heating, or lubricating oils.

NOTE—Class 47 is for "Candles; common soap; detergents; illuminating, heating, or lubricating oils; matches; and starch, blue, and other preparations for laundry purposes—such as washing-powders, benzine."

No. of application: 5571.

Date: 13th October, 1905.

TRADE MARK.



The essential particular of this trade mark is the letter Z in combination with two fishes across it; and any right to the exclusive use of the added matter is disclaimed.

NAME.

ZOHRAB AND Co., of Crawford Street, Wellington, in the Colony of New Zealand.

No. of class: 42.

Description of goods: Sauces, pepper, vinegar, coffee, and all food products.

No. of application: 5573.

Date: 13th October, 1905.

TRADE MARK.

ST GEORGE



NAME.

IRVINE AND STEVENSON'S ST. GEORGE COMPANY, LIMITED, of Dunedin and elsewhere in the Colony of New Zealand, Manufacturers.

No. of class: 42.

Description of goods: All substances used as food or as ingredients in food, except pickles, vinegar, and sauce.

No. of application: 5574.

Date: 13th October, 1905.

TRADE MARK.

(The mark as shown in preceding notice, No. 5573.)

NAME.

IRVINE AND STEVENSON'S ST. GEORGE COMPANY, LIMITED, of Dunedin and elsewhere in the Colony of New Zealand, Manufacturers.

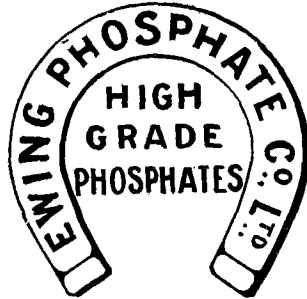
No. of class: 47.

Description of goods: Candles; common soap; detergents; illuminating, heating, or lubricating oils; matches; and starch, blue, and other preparations for laundry purposes.

No. of application: 5575.

Date: 14th October, 1905.

TRADE MARK.



The essential particular of this trade mark is the device of a horse-shoe; and any right to the exclusive use of the words "High-grade Phosphates" is disclaimed.

NAME.

THE EWING PHOSPHATE COMPANY, LIMITED, of 14, Crawford Street, Dunedin, in the Colony of New Zealand.

No. of class: 4.

Description of goods: Phosphate rock.

No. of application: 5576.

Date: 16th October, 1905.

TRADE MARK.



NAME.

GERALD ROBERT MALING, trading as "Maling and Dixon," of Hereford Street, Christchurch, in the Colony of New Zealand.

No. of class: 42.

Description of goods: Tea, coffee, and cocoa.

No. of application : 5578.  
Date : 16th October, 1905.

TRADE MARK.

The word  
"JUSTRITE."

NAME.

JAMES BROOKS HULBERT, of 53, Courtenay Place, Wellington, in the Colony of New Zealand, Bootmaker.

No. of class : 50.

Description of goods : Goods manufactured from animal and vegetable substances not included in other classes, such as boot-polishes, domestic polishes.

No. of application : 5581.  
Date : 17th October, 1905.

TRADE MARK.



The applicant claims that the said trade mark has been used by him in respect of the articles mentioned since before the 1st January, 1890.

NAME.

BENITO SUAREZ, of Havana, Cuba.

No. of class : 45.

Description of goods : Manufactured tobacco, cigars, and cigarettes.

No. of application : 5583.  
Date : 19th October, 1905.

TRADE MARK.

The words  
SWEET NELL.

NAME.

AVISON AND WILLANS, of Cuba Street, Wellington, in the Colony of New Zealand, Grocers.

No. of class : 42.

Description of goods : Butter.

No. of application : 5585.  
Date : 23rd October, 1905.

TRADE MARK



The essential particulars of this trade mark are the device and the word "Bull-dog"; and any right to the exclusive use of the words "Binder Twine" is disclaimed.

NAME.

INTERNATIONAL HARVESTER COMPANY OF AMERICA, of 1 and 3, Bedford Row, Christchurch, New Zealand, Implement Importers and Vendors.

No. of class : 50.

Description of goods : Binder twine.

No. of application : 5586.  
Date : 23rd October, 1905.

TRADE MARK.

IMPERIAL  
BINDING TWINE

MANUFACTURED FOR

INTERNATIONAL HARVESTER COMPANY  
OF AMERICA.

The essential particular of this trade mark is the word "Imperial"; and applicants disclaim any right to the exclusive use of the added matter, except their name.

NAME.

INTERNATIONAL HARVESTER COMPANY OF AMERICA, of 1 and 3, Bedford Row, Christchurch, New Zealand, Implement Importers and Vendors.

No. of class : 50.

Description of goods : Binder twine.

No. of application : 5588.  
Date : 24th October, 1905.

TRADE MARK.



The essential particulars of this trade mark are the device of two outer circles enclosing two inner circles, with the word "Affico" within the inner circles, and a scroll over

and under the word; and applicants disclaim any right to the exclusive use of the added matter, save and except their trading name.

## NAME.

AUCKLAND FRESH FOOD AND ICE COMPANY, LIMITED, of the City of Auckland, in the Provincial District of Auckland, in the Colony of New Zealand, Butter-manufacturers and Fresh-food Purveyors.

No. of class: 42.

Description of goods: Cream, butter, cheese, ice, and fresh food, including fowls.

No. of application: 5589.

Date: 24th October, 1905.

## TRADE MARK.

The word

**AFFICO.**

## NAME.

AUCKLAND FRESH FOOD AND ICE COMPANY, LIMITED, of the City of Auckland, in the Provincial District of Auckland, in the Colony of New Zealand, Butter-manufacturers and Fresh-food Purveyors.

No. of class: 42.

Description of goods: Cream, butter, cheese, ice, and fresh food, including fowls.

No. of application: 5591.

Date: 24th October, 1905.

## TRADE MARK.

The word

**PRIMROSE.**

## NAME.

GOLLIN AND Co. PROPRIETARY, LIMITED, of Customhouse Quay, Wellington, in the Colony of New Zealand.

No. of class: 5.

Description of goods: Tin-plates.

No. of application: 5592.

Date: 25th October, 1905.

## TRADE MARK.



The essential particulars of the trade mark are as follows: The device and the words "Red Ball"; and any right to the exclusive use of the added matter is disclaimed.

## NAME.

STEVENSON AND HOWELL, LIMITED, of Standard Works, 95A, Southwark Street, London, S.E., England, Manufacturing Chemists.

No. of class: 42.

Description of goods: Substances used as food or as ingredients in food.

No. of application: 5593.

Date: 25th October, 1905.

## TRADE MARK.

(The mark as shown in preceding notice, No. 5592.)

The essential particulars of the trade mark are as follows: The device and the words "Red Ball"; and any right to the exclusive use of the added matter is disclaimed.

## NAME.

STEVENSON AND HOWELL, LIMITED, of Standard Works, 95A, Southwark Street, London, S.E., England, Manufacturing Chemists.

No. of class: 43.

Description of goods: Essences, flavourings, and colourings (all containing alcohol) for domestic use and for use in manufactures.

No. of application: 5595.

Date: 25th October, 1905.

## TRADE MARK.



## NAME.

LEVER BROS., LIMITED, of Balmain, State of New South Wales, Australia, Manufacturers.

No. of class: 47.

Description of goods: Common soap, soap-powders, starch, blue, and washing-soda.

No. of application: 5596.

Date: 25th October, 1905.

## TRADE MARK.

(The mark as shown in preceding notice, No. 5595.)

## NAME.

LEVER BROS., LIMITED, of Balmain, State of New South Wales, Australia, Manufacturers.

No. of class: 48.

Description of goods: Perfumed soap, perfumery, and glycerine for toilet purposes.



No. of application : 5597.  
Date : 25th October, 1905.

TRADE MARK.

The word

**NATURE-KEY**

NAME.

LEVER BROS., LIMITED, of Balmain, State of New South Wales, Australia, Manufacturers.

No. of class : 47.

Description of goods : Common soap, soap-powders, candles, matches, starch, blue, washing soda, detergents, and oil for illuminating, heating, or lubricating purposes.

No. of application : 5598.  
Date : 25th October, 1905.

TRADE MARK.

(The mark as shown in preceding notice, No. 5597.)

NAME.

LEVER BROS., LIMITED, of Balmain, State of New South Wales, Australia, Manufacturers.

No. of class : 48.

Description of goods : Perfumed soap, perfumery, and glycerine for toilet purposes.

No. of application : 5603.  
Date : 25th October, 1905.

TRADE MARK.

The word

**F O A M O .**

NAME.

ROBERT WILLIAM HUDSON, trading as "R. S. Hudson," at Bank Hall, Liverpool, in the County of Lancaster, and West Bromwich, in the County of Stafford, both in England, Chemical-manufacturer.

No. of class : 47.

Description of goods : All articles mentioned in Class 47.

NOTE.—Class 47 is for "Candles; common soap; detergents; illuminating, heating, or lubricating oils; matches; and starch, blue, and other preparations for laundry purposes, such as washing-powders, benzine."

No. of application : 5604.  
Date : 25th October, 1905.

TRADE MARK.

The word

**F O A M O .**

NAME.

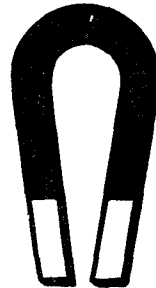
ROBERT WILLIAM HUDSON, trading as "R. S. Hudson," at Bank Hall, Liverpool, in the County of Lancaster, and West Bromwich, in the County of Stafford, both in England, Chemical-manufacturer.

No. of class : 48.

Description of goods : Perfumery (all articles in Class 48).

No. of application : 5606.  
Date : 26th October, 1905.

TRADE MARK.



**MAGNET**

**BRAND.**

NAME.

DAVID ANDERSON AND SON, of 40, Molesworth Street, Wellington, in the Colony of New Zealand.

No. of class : 42.

Description of goods : Tea, coffee, butter, cheese, bacon, rolled oats and other cereals, pulses, olive oil, hops, malt, dried fruits, canned fruits and vegetables, jams and jellies of all kinds, salt, preserved, and potted meats and fish, confectionery, pickles, pepper, and other spices.

No. of application : 5607.  
Date : 26th October, 1905.

TRADE MARK.

(The mark as shown in preceding notice, No. 5606.)

NAME.

DAVID ANDERSON AND SON, of 40, Molesworth Street, Wellington, in the Colony of New Zealand.

No. of class : 47.

Description of goods : Candles, oils, matches, starch, blue, benzine, methylated spirits, washing-powder, washing-fluid.

No. of application : 5608.  
Date : 26th October, 1905.

TRADE MARK.

The word

**M I L O S .**

NAME.

MAUD McELWAIN, of Auckland, in the Colony of New Zealand, Toilet Specialist.

No. of class : 3.

Description of goods : Chemical substances prepared for use in medicine and pharmacy.

F. WALDEGRAVE,  
Registrar.

## Trade Marks registered.

LIST of Trade Marks registered from the 19th October to the 1st November, 1905, inclusive:—

- No. 4239; 5136.—Amsterdamsche Likenrstockerij 't Loot-je Der Erven Lucas Bols; Class 43. (*Gazette* No. 67, of the 13th July, 1905.)
- No. 4240; 5204.—Borsalino Guiseppe and Fillo; Class 38. (*Gazette* No. 67, of the 13th July, 1905.)
- No. 4241; 5205.—Borsalino Guiseppe and Fillo; Class 38. (*Gazette* No. 67, of the 13th July, 1905.)
- No. 4242; 5345.—Fabrikation für Lessive Phénix, Patent J. Picot, Paris, L. Minlos and Co.; Class 47. (*Gazette* No. 67, of the 13th July, 1905.)
- No. 4243; 5361.—A. and F. Parkes and Co., Limited; Class 12. (*Gazette* No. 67, of the 13th July, 1905.)
- No. 4244; 5362.—A. and F. Parkes and Co., Limited; Class 13. (*Gazette* No. 67, of the 13th July, 1905.)
- No. 4245; 5363.—A. and F. Parkes and Co., Limited; Class 12. (*Gazette* No. 67, of the 13th July, 1905.)
- No. 4246; 5364.—A. and F. Parkes and Co., Limited; Class 13. (*Gazette* No. 67, of the 13th July, 1905.)
- No. 4247; 5365.—A. and F. Parkes and Co., Limited; Class 12. (*Gazette* No. 67, of the 13th July, 1905.)
- No. 4248; 5366.—A. and F. Parkes and Co., Limited; Class 13. (*Gazette* No. 67, of the 13th July, 1905.)
- No. 4249; 5367.—A. and F. Parkes and Co., Limited; Class 12. (*Gazette* No. 67, of the 13th July, 1905.)
- No. 4250; 5368.—A. and F. Parkes and Co., Limited; Class 13. (*Gazette* No. 67, of the 13th July, 1905.)
- No. 4251; 5369.—A. and F. Parkes and Co., Limited; Class 12. (*Gazette* No. 67, of the 13th July, 1905.)
- No. 4252; 5370.—A. and F. Parkes and Co., Limited; Class 13. (*Gazette* No. 67, of the 13th July, 1905.)
- No. 4253; 5371.—A. and F. Parkes and Co., Limited; Class 12. (*Gazette* No. 67, of the 13th July, 1905.)
- No. 4254; 5372.—A. and F. Parkes and Co., Limited; Class 13. (*Gazette* No. 67, of the 13th July, 1905.)
- No. 4255; 5391.—R. and E. Tingey and Co., Limited; Class 50. (*Gazette* No. 71, of the 27th July, 1905.)
- No. 4256; 5395.—T. Gallagher; Class 3. (*Gazette* No. 71, of the 27th July, 1905.)
- No. 4257; 5397.—W. Blenkiron and Son; Class 38. (*Gazette* No. 71, of the 27th July, 1905.)
- No. 4258; 5402.—The Aeolian Company; Class 9. (*Gazette* No. 71, of the 27th July, 1905.)
- No. 4259; 5329.—H. Christian; Class 13. (*Gazette* No. 71, of the 27th July, 1905.)
- No. 4260; 5331.—A. J. Entrican and Co., Limited; Class 42. (*Gazette* No. 75, of the 10th August, 1905.)
- No. 4261; 5353.—The Oliver Typewriter Company, Limited; Class 39. (*Gazette* No. 67, of the 13th July, 1905.)
- No. 4262; 5373.—W. H. Barrett; Class 6. (*Gazette* No. 67, of the 13th July, 1905.)
- No. 4263; 5378.—Parkinson and Co.; Class 3. (*Gazette* No. 71, of the 27th July, 1905.)
- No. 4264; 5315.—E. Morton; Class 42. (*Gazette* No. 75, of the 10th August, 1905.)
- No. 4265; 5404.—Chandon et Cie; Class 43. (*Gazette* No. 75, of the 10th August, 1905.)
- No. 4266; 5405.—Chandon et Cie; Class 43. (*Gazette* No. 75, of the 10th August, 1905.)
- No. 4267; 4945.—The Te Rau a Moa Co-operative Dairy Company, Limited; Class 42. (*Gazette* No. 83, of the 13th October, 1904.)
- No. 4268; 5409.—Wood Bros., Limited; Class 42. (*Gazette* No. 75, of the 10th August, 1905.)
- No. 4269; 5410.—Wood Bros., Limited; Class 42. (*Gazette* No. 75, of the 10th August, 1905.)
- No. 4270; 5132.—La Société Anonyme "Louis Brandt et Frère"; Class 10. (*Gazette* No. 75, of the 10th August, 1905.)
- No. 4271; 5420.—W. Robins; Class 3. (*Gazette* No. 75, of the 10th August, 1905.)
- No. 4272; 5424.—J. S. Fry and Sons, Limited; Class 42. (*Gazette* No. 75, of the 10th August, 1905.)
- No. 4273; 5425.—La Société Anonyme "Louis Brandt et Frère"; Class 13. (*Gazette* No. 75, of the 10th August, 1905.)
- No. 4274; 5426.—La Société Anonyme "Louis Brandt et Frère"; Class 14. (*Gazette* No. 75, of the 10th August, 1905.)
- No. 4275; 4953.—T. J. Maling; Class 42. (*Gazette* No. 86, of the 27th October, 1904.)
- No. 4276; 5354.—J. de Kuyper and Son; Class 43. (*Gazette* No. 75, of the 10th August, 1905.)
- No. 4277; 5355.—J. de Kuyper and Son; Class 43. (*Gazette* No. 75, of the 10th August, 1905.)

## Subsequent Proprietor of Trade Mark registered.

[NOTE.—The name of the former proprietor is given in brackets. The date is that of registration.]

NO. 202/167.—F. Reddaway and Co., Limited (an English company, incorporated under the Companies Act), of Pendleton, Manchester, England, Manufacturers. [S. J. McMechan.] 1st November, 1905.

## Trade Mark Renewal Fees paid.

FEES paid for the renewal of the undermentioned trade marks:—

For fourteen years from the date first mentioned.

No. 370/299.—24th November, 1905.—T. Bell, of Auckland, New Zealand. 18th October, 1905.

No. 394/305.—18th January, 1906.—The Westport Coal Company, Limited, of Dunedin, New Zealand. 27th October, 1905.

## Trade Marks removed from the Register.

TRADE Marks removed from the Register, owing to the non-payment of the renewal fees, from the 19th October to the 1st November, 1905, inclusive:—

No. 261/222.—28th July, 1891.—H. Barraclough, of Wellington, New Zealand.

No. 265/219.—30th July, 1891.—Burroughes and Watts, Limited, of London, England.

Request for Correction of Clerical Error in Trade Marks allowed.

THE request to correct the clerical error in name of subsequent proprietor in Trade Marks Nos. 2683/2159 and 2684/2160 (advertised in supplement to *New Zealand Gazette* No. 82, of the 7th September, 1905) has been allowed.

## Application for Trade Mark withdrawn.

THE following application for trade mark has been withdrawn: No. 5176.—H. E. Partridge (advertised in supplement to *New Zealand Gazette* No. 81, of the 6th April, 1905).

## Advertisements.

ADVERTISEMENTS are charged at the rate of 6d. per line for the first insertion, and 3d. per line for the second and any subsequent insertion.

All advertisements should be written on one side of the paper, and signatures, &c., should be written in a legible hand.

The number of insertions required must be written across the face of the advertisement.

Communications should be addressed to the Government Printer, Wellington, to whom post-office money-orders should be made payable. Cheques should be crossed "Public a/c," and exchange added.

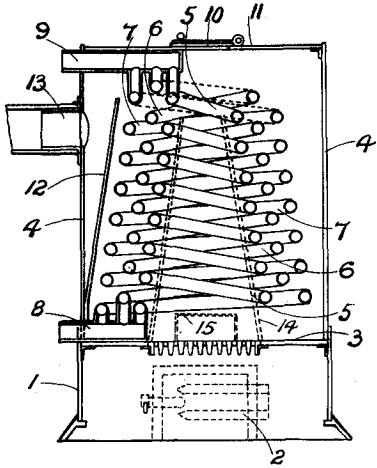
Postage or duty stamps cannot be received in payment from any place at which postal notes or post-office orders are issued.

Prepayment may be demanded in any case. In order to prevent delay in publication a sufficient remittance should accompany every advertisement. Any surplus will be returned with receipted account.

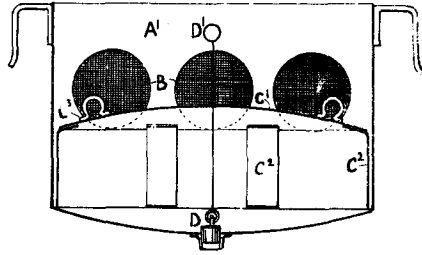
Authority: JOHN MACKAY, Government Printer, Wellington.

# ILLUSTRATIONS OF INVENTIONS.

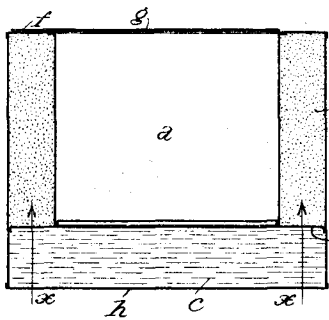
[These illustrations refer to the complete specifications accepted, and advertised in this *Gazette*.]



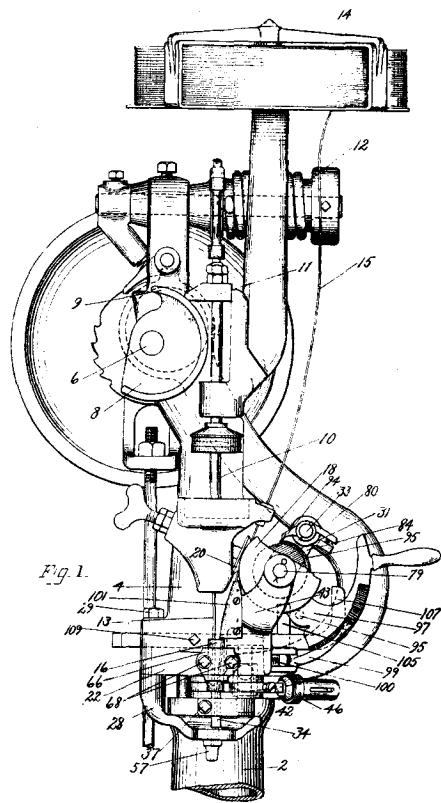
18597  
Small. Boiler.



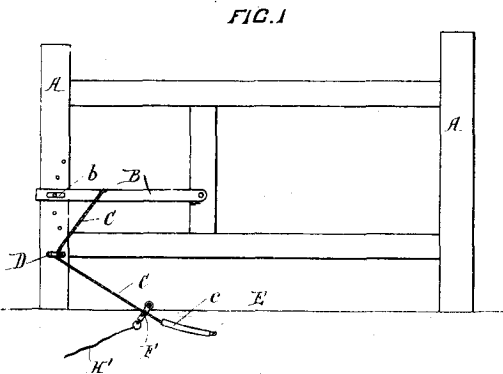
18871  
McDonald and Stedman. Sediment-strainer



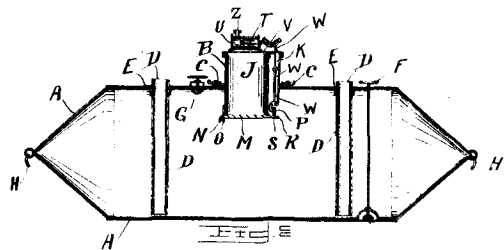
18624  
Bohm. Preserve-can.



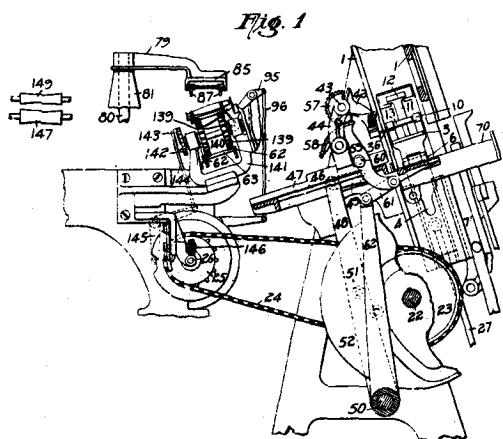
18926  
United Shoe Machinery Company. Fastening-machine. (Perry.)



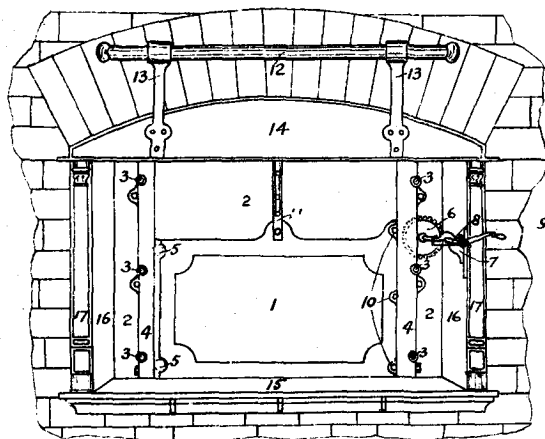
18868  
Brown. Leg-roper.



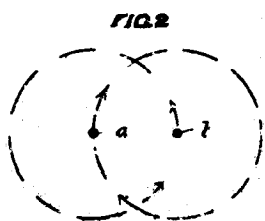
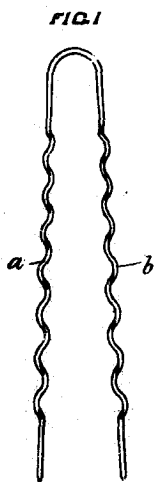
19917  
Crook. Ship-raiser.



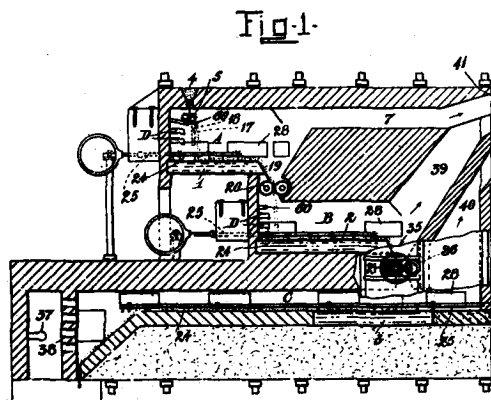
20080  
International Cigar Machinery Company. Cigar-machinery.  
(Tyberg, Lockett, Lake, Knight, and Herrington.)



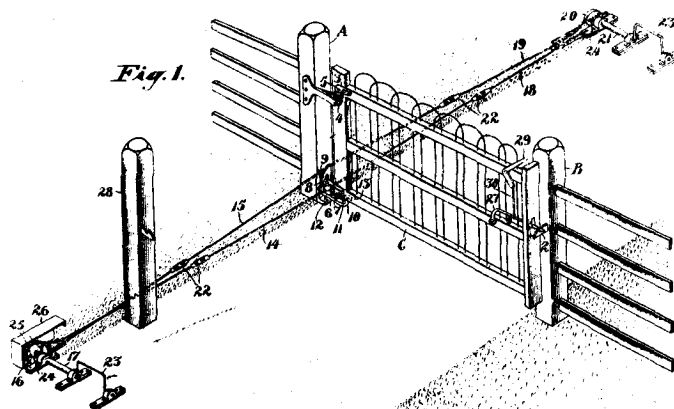
20110  
Kitchen. Oven-door.



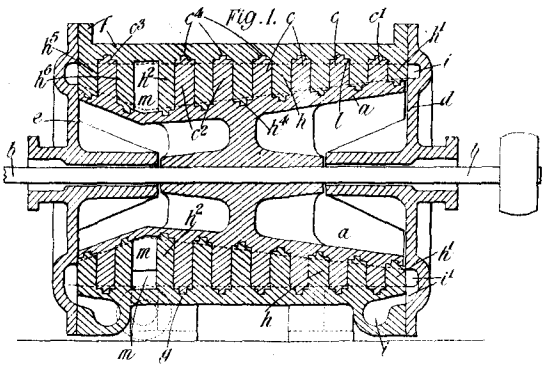
18862  
McKay and Cobb. Hair-pin.



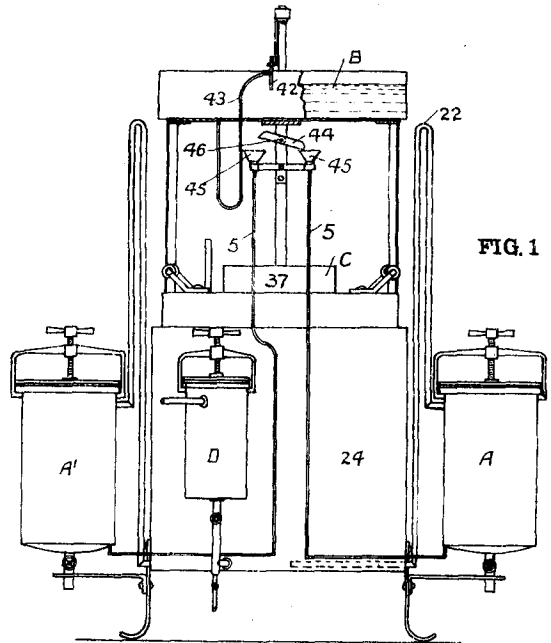
18838  
Wynne and Grant. Ore-furnace.



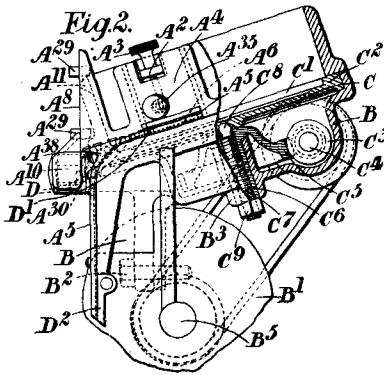
20140  
Waters. Farm-gate (Hartley — Mason.)



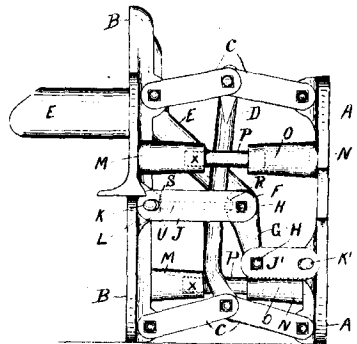
18879 Pollard. Turbine.



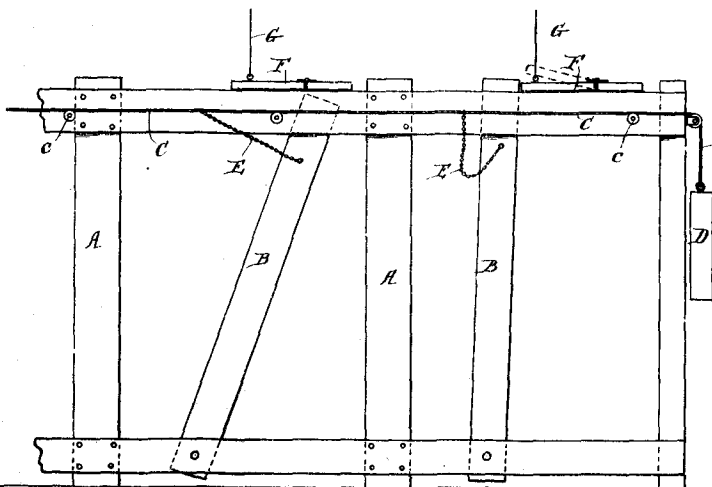
20038 Andreas. Acetylene-generator.



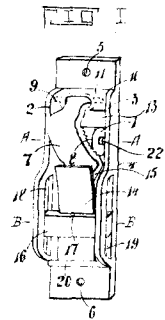
18925 United Shoe Machinery Company. Rivet-arranger. (Pearson and Jerram.)



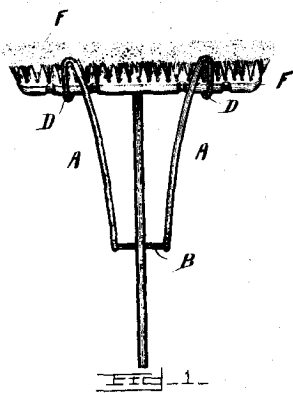
20048 Harvey. Pressure-block.



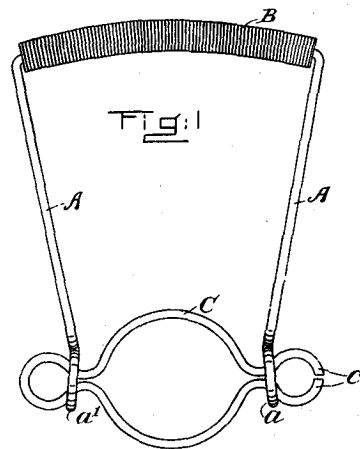
18867 Brown. Cow-bail.



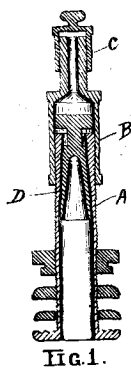
20043 Parrish. Sush-sustainer.



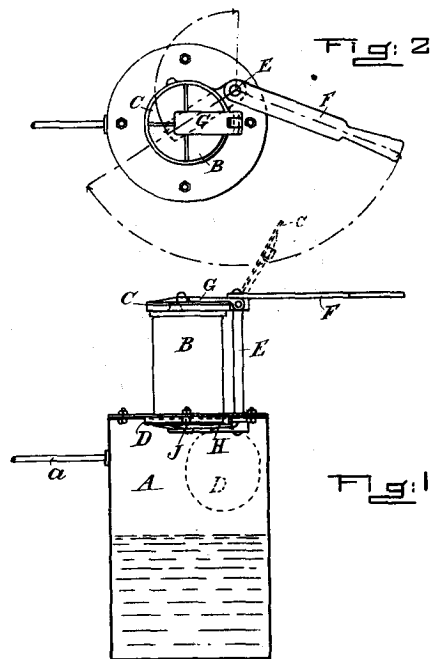
19932  
Crook. Broom-suspender.



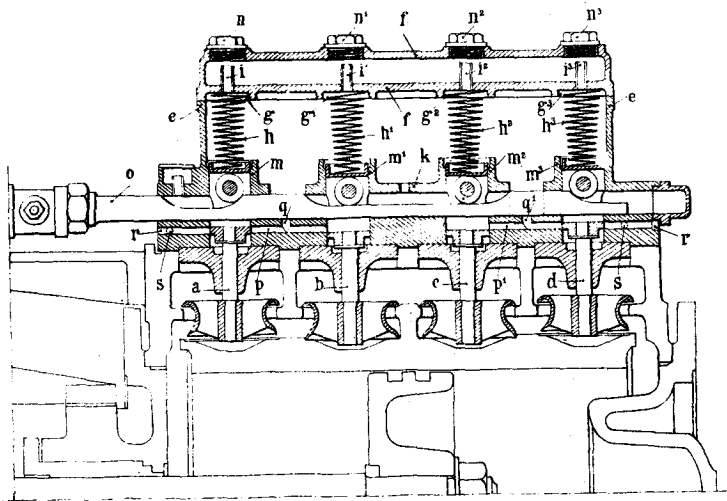
20068  
Sharpe. Wire-suspender for Bottles.



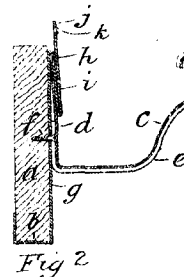
20056  
Coe and Johansen. Tire-valve Connection.



20071  
Bissaker. Acetylene-generator.



20067  
Hughes. Locomotive Steam Distribution. (Lentz and Bellens.)



20074  
Dixon. Eaves-gutter Fascias.